



WiFi overview

Johannes Martin Berg

2009-02-29

Linux Wireless

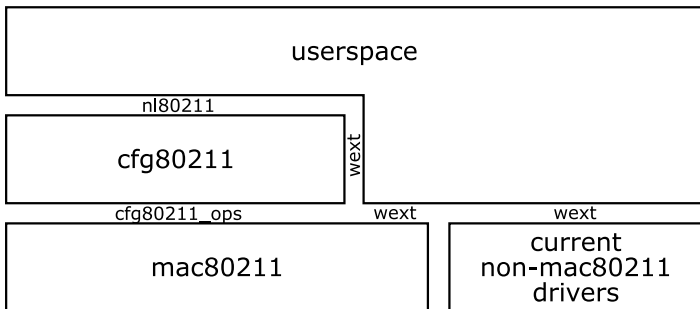


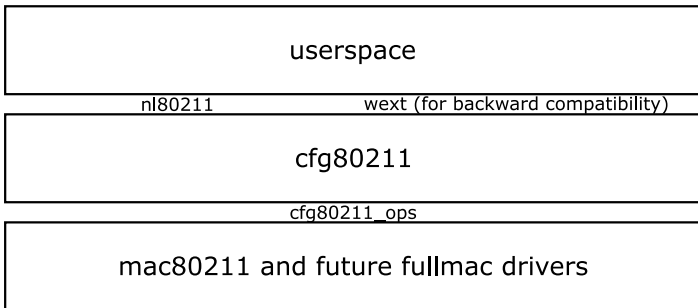
We'll cover

- mac80211
- wext (and quickly forget about it)
- cfg80211/nl80211
- wpa_supplicant
- hostapd



Architecture – current







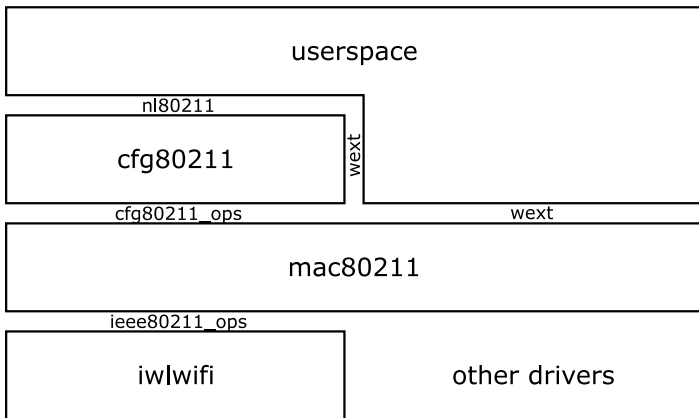
mac80211

- is a subsystem to the Linux kernel
- implements shared code for soft-MAC/half-MAC wireless devices
- contains MLME and other code, despite the name



Some notable additions to mac80211:

HT/aggregation support	Intel
802.11s draft support	cozybit through o11s.org
802.11w draft support	Jouni Malinen (Atheros)
PS (infrastructure mode)	Kalle Valo (Nokia) Vivek Natarajan (Atheros)
beacon processing offload	Kalle Valo (Nokia)





- TX/RX paths (including software en-/decryption)
- control paths for managed, IBSS, mesh
- some things for AP (e.g. powersave buffering)
- ...



- `ieee80211_local/ieee80211_hw`
- `sta_info/ieee80211_sta`
- `ieee80211_conf`
- `ieee80211_bss_conf`
- `ieee80211_key/ieee80211_key_conf`
- `ieee80211_tx_info`
- `ieee80211_rx_status`
- `ieee80211_sub_if_data/ieee80211_vif`



Data structures – ieee80211_local/ieee80211_hw

- each instance of these (hw is embedded into local) represents a wireless device
- ieee80211_hw is the part of ieee80211_local that is visible to drivers
- contains all operating information about a wireless device



- represents any station (peer)
- could be mesh peer, IBSS peer, AP, WDS peer
- would also be used for DLS peer
- ieee80211_sta is driver-visible part
- ieee80211_find_sta for drivers
- lifetime managed mostly with RCU



- hardware configuration
- most importantly - current channel
- intention: hardware specific parameters



- BSS configuration
- for all kinds of BSSes (IBSS/AP/managed)
- contains e.g. basic rate bitmap
- intention: per BSS parameters in case hardware supports creating/associating with multiple BSSes



Data structures – ieee80211_key/ieee80211_key_conf

- represents an encryption/decryption key
- ieee80211_key_conf given to driver for hardware acceleration
- ieee80211_key contains internal book-keeping and software encryption state



- most complicated data structure
- lives inside skb's control buffer (cb)
- goes through three stages (substructure for each)
 - initialisation by mac80211 (control)
 - use by driver (driver_data/rate_driver_data)
 - use for TX status reporting (status)



Data structures – ieee80211_rx_status

- contains status about a received frame
- passed by driver to mac80211 with a received frame



Data structures – ieee80211_sub_if_data/ieee80211_vif

- contains information about each virtual interface
- ieee80211_vif is passed to driver for those virtual interfaces the driver knows about (not monitor, VLAN)
- contains sub-structures depending on mode
 - ieee80211_if_ap
 - ieee80211_if_wds
 - ieee80211_if_vlan
 - ieee80211_if_managed
 - ieee80211_if_ibss
 - ieee80211_if_mesh



- configuration
- receive path
- transmit path
- management/MLME



Main flows – configuration

- all initiated from userspace (wext or nl80211)
- for managed and IBSS modes: triggers statemachine (on workqueue)
- some operations passed through to driver more or less directly (e.g. channel setting)



Main flows – receive path

- packet received by driver
- passed to mac80211's rx function (ieee80211_rx) with rx_status info
- for each interface that the packet might belong to
 - RX handlers are invoked
 - data: converted to 802.3, delivered to networking stack
 - management: delivered to MLME



Main flows – transmit path

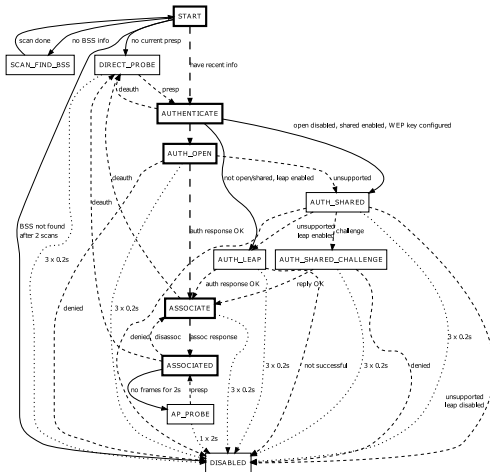
- packet handed to virtual interface's `ieee80211_subif_start_xmit`
- converted to 802.11 format
- sent to master interface
- packet handed to `ieee80211_master_start_xmit`
- transmit handlers run, control information created
- packet given to driver



- `ieee80211_tx_h_check_assoc`
- `ieee80211_tx_h_ps_buf`
- `ieee80211_tx_h_select_key`
- `ieee80211_tx_h_michael_mic_add`
- `ieee80211_tx_h_rate_ctrl`
- `ieee80211_tx_h_misc`
- `ieee80211_tx_h_sequence`
- `ieee80211_tx_h_fragment`
- `ieee80211_tx_h_encrypt`
- `ieee80211_tx_h_calculate_duration`
- `ieee80211_tx_h_stats`



Main flows – management/MLME





Ok, so you didn't want to know that precisely.

- requests from user are translated to internal variables
- state machine runs on user request
- normal procedure:
 - probe request/response
 - auth request/response
 - assoc request/response
 - notification to userspace



Simpler for IBSS:

- try to find IBSS
- join IBSS or create IBSS
- if no peers periodically try to find IBSS to join



Three main points

- configuration (from userspace)
- mac80211/rate control
- mac80211/driver



- Wireless extensions (wext, legacy)
- cfg80211 (which userspace talks to via nl80211)



Handoff points – from mac80211 to rate control

- Rate control is semantically not part of driver
- per-driver selection of rate control algorithm
- rate control fills `ieee80211_tx_info` rate information
- rate control informed of TX status



Handoff points – from mac80211 to driver

- many driver methods (ieee80211_ops)
- mac80211 also has a lot of exported functions
- refer to `include/net/mac80211.h`



- config flows: mostly rtnl
- a lot of RCU-based synchronisation (sta_info, key management)
- mutex for interface list management
- spinlocks for various tightly constrained spots like sta list management, sta_info members etc.
- some more specialised locks



Quick questions on mac80211?



- all code is in `net/wireless/wext.c`
- not much code – drivers need to implement a lot
- userspace sets each parameter one by one
- driver tries to work with these parameters
- problem: is the user going to send a BSSID after the SSID?



Wireless extensions – handoff points

- `netdev.wireless_handlers`
 - contains array of standard and private handlers
 - handlers called by userspace via `ioctl`
- drivers send events via `netlink`
- a lot already handled in `cfg80211 wext-compat`



- thin layer between userspace and drivers/mac80211
- mainly sanity checking, protocol translations
- thicker than wext – sanity checking, bookkeeping, compat layer,
...



- userspace access to cfg80211 functionality
- defined in `include/linux/nl80211.h`
- currently used in userspace by `iw`, `crda`, `wpa_supplicant`, `hostapd`



- drivers register a struct wiphy with `cfg80211`
- this includes hardware capabilities like
 - bands and channels
 - bitrates per band
 - HT capabilities
 - supported interface modes
- needs to be done before registering netdevs
- netdev `ieee80211_ptr` links to registered wiphy



- still work in progress
- relies on userspace helper (crda) to provide restriction information
- will update the list of registered channels and (optionally) notify driver



- create/remove virtual interfaces
- change type of virtual interfaces (provides wext handler)
- change ‘monitor flags’
- keeps track of interfaces associated with a wireless device
- will set all interfaces down on rfkill



- optional
- mostly for mac80211, though other appropriate uses exist
- only matching PHY parameters possible, all virtual interfaces are on one channel
- driver responsible for rejecting impossible configurations like IBSS+IBSS or similar



- ad-hoc (IBSS)
- managed
- AP and AP_VLAN
- WDS
- mesh point
- monitor
 - can set monitor flags: control frames, other BSS frames
 - special case: cooked monitor
 - cooked monitor sees all frames no other virtual interface consumed



- monitor (replacing things like `CONFIG_IPW2200_PROMISCUOUS` and module parameter)
- switching modes like with `iwconfig`
- allow multiple interfaces, combining e.g. WDS and AP for wireless backhaul



- many more features than wext:
 - multiple SSIDs
 - channel specification
 - allows IE insertion



- NetworkManager/connman
- wpa_supplicant
- hostapd
- “userspace SME”



- internally modular architecture, supports multiple backends
- current version supports nl80211, wext no longer required
- current version can try nl80211 and fall back to wext
- actively maintained by Jouni Malinen (Atheros)



- implements (almost) the entire AP MLME
- works with mac80211 through nl80211
- requires working radiotap packet injection
- requires many of the nl80211 callbacks
- requires ‘cooked’ monitor interfaces
- actively maintained by Jouni Malinen (Atheros)



Userspace – “userspace SME”

- API has separate auth/assoc
- needs to support multiple authentications simultaneously (WIP)
- supports adding arbitrary IEs into auth/assoc frames
- together this allows 802.11r
- auth/assoc state machine needed in cfg80211 for wext
- to do: add SME to cfg80211 for wext



Thanks for listening.

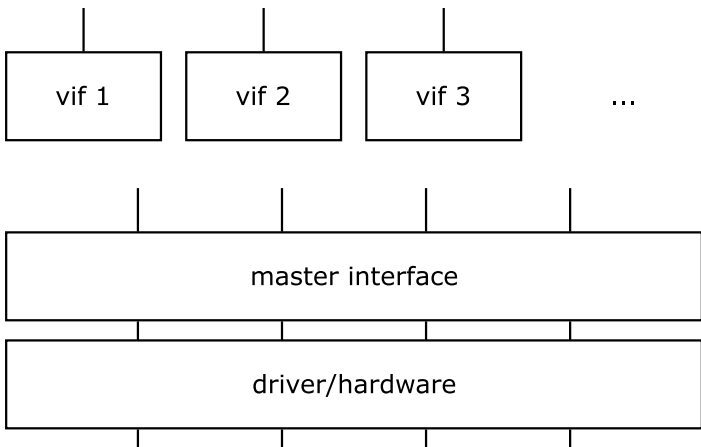
Questions?

<http://wireless.kernel.org/>



beacon processing offload

- beacon processing
 - beacon miss actions
 - signal strength monitoring
 - beacon change monitoring
- offload
 - don't use software for above tasks
 - have device (firmware) do this
 - results in much fewer CPU wakeups





- allow, in theory, multiple network interfaces on single hardware
- for example WDS and AP interfaces (to be bridged)
- for example multiple AP interfaces (multi-BSS)
- any number of monitor interfaces
- any number of AP_VLAN interfaces (to implement multi-SSID with single BSSID)



relevance to drivers

- drivers need to allow each interface type
- drivers need to support certain operations for certain interface types
- drivers can support multiple virtual interfaces
- but: drivers not notified of monitor interfaces



- used to configure hardware filters
- best-effort, not all filter flags need to be supported
- best-effort, not all filters need to be supported
- filter flags say which frames to pass to mac80211 – thus a filter flag is supported if that type of frames passed to mac80211
- passing more frames than requested is always permitted but may affect performance



monitor interfaces

- handled entirely in mac80211
- may affect filters depending on configuration
- it is possible to create a monitor interface that does not affect filters, can be useful for debugging (iw phy phy0 interface add moni0 type monitor flags none)



Even backup slides end somewhere.